

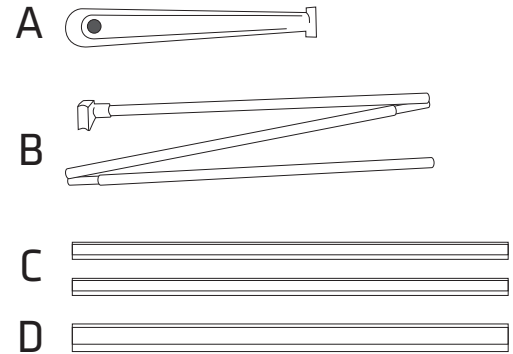
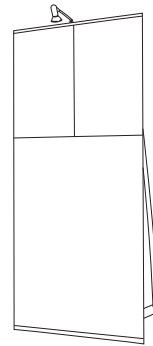


# Take4™ Take8™ DoubleTake™ Setup Instructions

- A-Foot Base
- B-Fiberglass pole
- C-Top & bottom snap-lock profile
- D-Center snap-lock profile  
(DoubleTake™ only)

**Note: Always roll graphic "image side out" during storage.**

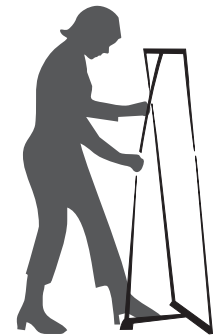
How to set up your literature holder:



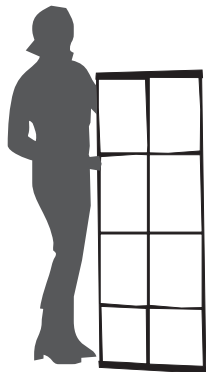
1. Carefully remove Take™ from bag.



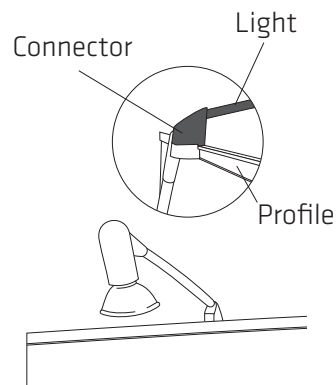
2. Slide metal foot base onto bottom profile of the graphic.



3. Flex pole and insert bottom of pole into the hole of metal foot base.



4. Display can be repositioned after set up.



5. OPTIONAL  
To attach light, place into top of pole connector.